

# CANTER

The 'Not So Squeezy' Performer



FUSO

## FE 3.5 4x2 Diesel FE84D AUTO

FULL AUTO • 130kW • 530Nm • 6500kg GCM • 7500kg GVM • DUAL AIRBAGS • DISC BRAKES • ABS



Optional weight downgrade to 4500kg GVM/7500 GCM Passenger Car Licence.

[www.fuso.com.au](http://www.fuso.com.au)

# SPECIFICATIONS

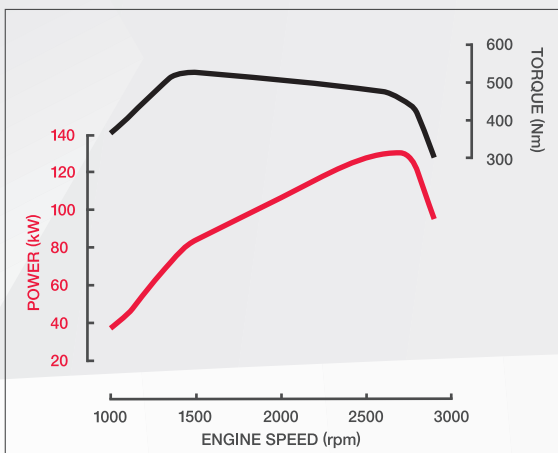
MODEL: FE84DE6SRFAC mwb

WHEELBASE: 3350mm

## ENGINE

### Mitsubishi FUSO 4M50-3AT8 Diesel (ADR 80/02)

Configuration: 4 Cyl. In-line DOHC, 4 Valve  
Type: Turbocharged & Air to Air Intercooler, EGR, PCV & Quick Heat Glow Plugs Catalytic Converter  
Displacement: 4899cc  
Bore x Stroke: 114 x 120mm  
Power (ECE R85-00): 130kW @ 2700 rpm  
Torque (ECE R85-00): 530Nm @ 1600 rpm  
(Limited to 421Nm in 1st & Rev. Gear)  
Maximum Engine Speed: 2900 rpm  
Compression Ratio: 17.5:1  
Oil Cooler: Plate Type, Water Cooled  
Air Cleaner: Dry Paper Element with Vertical Intake



## FUEL

Pump: BOSCH Common Rail System  
Governor: Electronic  
Filtration: Main Filter with Water Separator  
Fuel Capacity: 125 Litres

## COOLING

Fan: 500mm dia. 8 Blades  
Fan Drive: Thermo Modulated  
Radiator: Corrugated Fin with Expansion Tank

## ELECTRICAL

Voltage: 12V Negative Earth  
Alternator Capacity: 12V-100 amp  
Starter Capacity: 12V-3.0kW  
Battery Capacity: 2x12V, 88Ah/5hr in Parallel  
Headlamp: 2x60/55W Halogen

## TRANSMISSION

### AISIN MY600

No. of Speeds: 6 Speed Automatic  
Type: Hydraulic with Oil Cooler mounted LH side of chassis  
Ratios - 1st: 3.742  
- 2nd: 2.003  
- 3rd: 1.343  
- 4th: 1.000  
- 5th: 0.773  
- 6th: 0.634  
- Rev. 3.539  
PTO Opening: LH side

## PROPELLER SHAFT

Type: P3  
Universal Joint: Needle Roller

## FRONT AXLE

Type: Reverse Elliot 'I' Beam  
Capacity: 2570kg

## REAR AXLE

### Mitsubishi FUSO D033H

Type: Full Floating Hypoid  
Capacity: 4300kg  
Ratio: 5.285:1

## STEERING

Type: Integral Power Assisted Ball & Nut  
Ratio: 22.6:1  
Steering Column: Tilt/Telescopic Adjustable with Lock



GVM: 6500kg

GCM: 7500kg

Optional: GVM: 4500kg GCM: 7500kg



### BRAKES

Type:	Ventilated Disc, Dual Caliper Hydraulic Dual Circuit with ABS
Size - Front:	235x40mm
- Rear:	235x40mm
Park Brake:	Transmission Mounted
Auxiliary:	Exhaust Brake
Vacuum Reservoir Capacity:	4.0 Litres

### FRONT SUSPENSION

Type:	Parabolic Leaf with Stabiliser Bar
Size:	1200x70mm Leaves
Shock Absorbers:	Double Acting

### REAR SUSPENSION

Type:	Semi-Elliptic Leaf with Stabiliser Bar
Size:	1250x70mm Leaves
Auxiliary:	990x70mm Leaves
Shock Absorbers:	Double Acting

### CHASSIS

Type:	Reinforced Tapered Channel
Size:	193x61.5x6.0mm
Width:	753mm
Tensile Strength:	440 MPa

### WHEELS & TYRES

Wheel - Type:	7, Single Piece Disc
- Size:	16x6K-115-9t
- Stud Pattern:	6x208mm PCD
Tyre - Size:	205/85R16LT 117/115L
Spare Tyre Carrier:	Provided

### OPTION

H31:	4500/7500kg GVM/GCM Rating
------	----------------------------

### MASS (kg - estimated)

Model	Front	Rear	Total
FE84DE6SRFAC	1815	725	2540

Note: Mass (est.) includes oil and water but excludes spare wheel, tools & fuel.

### INSTRUMENTS

Gauges:	Speedometer with Odometer & Dual Tripmeter Tachometer Fuel Level, Water Temperature High Beam
Warning Lamps:	Turn Signal / Hazard Warning Park Brake / Brake Dual Circuit Exhaust Brake, Low Vacuum, ABS Engine Pre-Heat Alternator Low Oil Pressure Engine Control (ECU) Fuel Water Separator Heated Mirrors Dual SRS Air Bags (Driver & Far Side Passenger)

### CAB FEATURES

#### All Steel Forward Control

Type:	Manual Tilt 45°
Mounting:	Hydroelastic 4 Point
Colour:	Natural White
Interior:	Fully Trimmed Laminated Tinted
Windscreen:	2 Speed + Intermittent Cycle with Integrated Washer Nozzles
Windscreen Wipers:	Telescopic & Tilt
Steering Column:	1 x Internal, 2 x External Convex (ECE R46) - Heated
Rear Vision Mirrors:	3
Seating Capacity:	2 ELR Lap Sash, 1 Lap
Seat Belts:	228mm Sliding 47° Reclining Headrest & Fabric Trim
Seats - Driver:	Flat Folding, 2 Passenger Bench LH Headrest & Fabric Trim
- LH:	

### MAX. LOADING

Front	Rear	Total *
2570kg	4300kg	6500kg

\*Optional 4500kg total loading.



1. The new Canter Auto's 130kW/530Nm diesel engine features class leading power and torque.\* (\*compared to current Isuzu and Hino automatic/automated models)
2. Front and rear dual caliper disc brakes with ABS provide superior stopping power and safety.
3. Spacious "not so squeezey" cab makes for an extremely comfortable mobile workplace.
4. Automatic Transmission adds to a feature packed cab with air conditioning, CD player, power windows and keyless central locking.
5. Dual Airbags and Seat Belt Pre-Tensioners (driver and far passenger) for improved safety and piece of mind.

# SPECIFICATIONS

Typical Applications



Agitator



Compactor



Freezer Van



Tray Top



Cubic Van

## STANDARD FEATURES

### Driving

- Dual Air Bags & Seat Belt Pre-Tensioners (Driver & Far Side Passenger)
- Keyless Central Locking
- Electric Windows
- 12V Accessory Power Outlet / Cigar Lighter
- Air Conditioner / Heater / Demister
- Radio / CD Player
- Cup Holders (2)
- Interior Sun Visors
- Fluorescent Cabin Lamp
- Interior Dome Lamp with Delay Function
- Engine Idle Speed Control

### Storage

- Dash Storage Tray, 2 DIN Glove Compartment
- RH Overhead Storage Pocket
- Door Storage Pockets
- Floor Console, LH Seat Back Trays
- Coat Hooks

### Cab: External

- Roof Mounting Points
- Front End-Outline Marker Lamps
- Door Side Impact Beams
- Tinted Side & Rear Glass

### Chassis

- Tool Kit
- Chassis Mounted Tool Box
- Reverse Warning Buzzer

## DIMENSIONS (mm)

		FE84DE	6SRFAC
Width	Front Fender:	1995	
	Rear Axle:	1965	
Length	Front Track:	1665	
	Rear Track:	1495	
	Frame:	753	
	Max. Body Width:	2300	
	A Overall:	6008	
	C Front Overhang:	1145	
	D Wheelbase:	3350	
Height	G Front Axle to Rear of Cab:	525	
	H Rear of Cab to Engine:	50	
	I Frame, Engine to Rear Axle:	2775	
	J Frame, Rear Axle to End:	1480	
	P Cab to Ground:	2235	
	Q Cab to Frame:	1514	
	R Rear Frame to Ground:	810	
	Ground Clearance:	170	

## PERFORMANCE (Calculated - Paved Road)

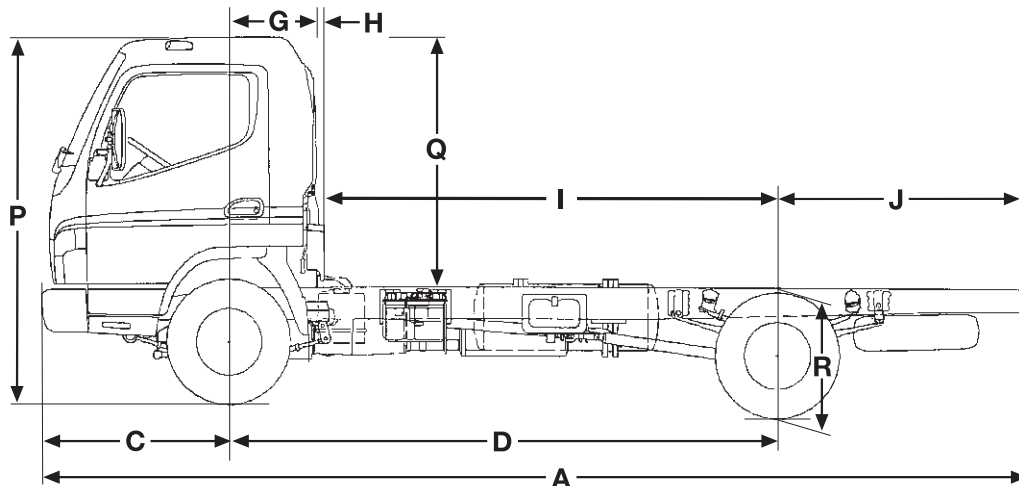
Road Speed (km/h) at Max. Engine Speed:	119
Turning Circle (kerb to kerb):	12.0m



### WARRANTY

Basic/Powertrain - 3 Years, 100000kms, 2000 operating hours\*  
and 3 Years Cab Perforation/Anti Corrosion.  
\* whichever occurs first.

See [www.fuso.com.au](http://www.fuso.com.au) for full details.



Note: Chassis reinforcement must be utilised for Tipper/Demountable type body configurations.

To conform with ADR 13/00 and 14/02 (lighting/mirror requirements) the following must be adhered to at body installation.

- If overall width exceeds 2.1 metres and other than a flat type or tipper body is fitted, rear end-outline marker lamps must be installed.
- If overall length exceeds 6.0 metres, side reflectors must be installed.
- If overall width exceeds 2.1 metres and length exceeds 7.5 metres, side marker lamps must be installed.
- If overall width is less than 2.2m, the mirrors must be modified to project not more than 230mm.

To conform with ADR 42/04 (General Safety), rear wheel guards must be fitted to the vehicle.

Unless specified in writing herein the accessories, applications, bodies or equipment depicted in this document are for illustration purposes only and may not be available from Mercedes-Benz Australia/Pacific Pty Ltd (ABN 23 004 411 410) ("MBAuP"). No representation or warranty whatsoever is given in relation to any accessories, applications, bodies or equipment or suitability of same that are shown herein that may be manufactured, supplied or fitted by a party other than MBAuP. MBAuP reserves the right without notice or obligation to discontinue or make changes to the colour, designs, materials and specifications of the products and options referred to herein at any time. For the most current information and in order to ascertain which accessories, applications, bodies and equipment are available from MBAuP please contact your authorised Mitsubishi FUSO truck and bus dealer. Fuso is a registered trademark of Mitsubishi Fuso Truck & Bus Corporation. Copyright © MBAuP. Reproduction in whole or part prohibited without written approval. Specifications contained herein apply to models built in Japan from May 2009. Date: August '09 Part No. TSC15A

