

CANTER

The 'Not So Squeezy' Performer



FUSO

FE 3.5 4x2 Diesel

FE84D

110kW • 471Nm • 6500kg GVM • 10000kg GCM • FRONT & REAR DISC BRAKES • ABS



Crew Cab Available.



Optional weight downgrade to 4500kg GVM / 8000kg GCM Passenger Car Licence.

www.fuso.com.au

SPECIFICATIONS

MODEL: FE84DE6SRFAB mwb
FE84DEWSRFAB mwb crew cab

WHEELBASE: 3350mm
3350mm

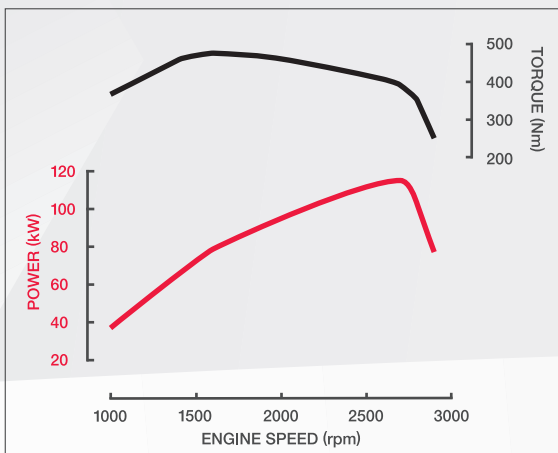
ENGINE

Mitsubishi FUSO 4M50-3AT7 Diesel (ADR 80/02)

Configuration: 4 Cyl. In-line DOHC, 4 Valve
Type: Turbocharged & Air to Air Intercooler,
EGR, PCV & Quick Heat Glow Plugs
Catalytic Converter

Displacement: 4899cc
Bore x Stroke: 114 x 120mm
Power (ECE R85-00): 110kW @ 2700 rpm
Torque (ECE R85-00): 471Nm @ 1600 rpm
(Limited to 382Nm in 1st & Rev. Gear)

Maximum Engine Speed: 2900 rpm
Compression Ratio: 17.5:1
Oil Cooler: Plate Type, Water Cooled
Air Cleaner: Dry Paper Element with Vertical Intake



FUEL

Pump: BOSCH Common Rail System
Governor: Electronic
Filtration: Main Filter with Water Separator
Fuel Capacity: E. 125 Litres
EW. 90 Litres

COOLING

Fan: 500mm dia. 8 Blades
Fan Drive: Thermo Modulated
Radiator: Corrugated Fin with Expansion Tank

ELECTRICAL

Voltage: 12V Negative Earth
Alternator Capacity: 12V-100 amp
Starter Capacity: 12V-3.0kW
Battery Capacity: 2x12V, 88Ah/5hr in Parallel
Headlamp: 2x60/55W Halogen

CLUTCH

Mitsubishi FUSO C5W33

Disc Diameter: 325mm
Type: Single Dry Plate
Operation: Hydraulic with Direct Power Cylinder

TRANSMISSION

Mitsubishi FUSO M036S5

No. of Speeds: 5 with In-Dash Gearshift Control
Synchronesh: 2nd-5th
Ratios - 1st: 5.175
- 2nd: 2.913
- 3rd: 1.682
- 4th: 1.000
- 5th: 0.715
- Rev. 5.175
PTO Opening: LH Side

PROPELLER SHAFT

Type: P3
Universal Joint: Needle Roller

FRONT AXLE

Type: Reverse Elliot 'I' Beam
Capacity: 2570kg

REAR AXLE

Mitsubishi FUSO D033H

Type: Full Floating Hypoid
Capacity: 4300kg
Ratio: 4.875:1

STEERING

Type: Integral Power Assisted Ball & Nut
Ratio: 22.6:1
Steering Column: Tilt/Telescopic Adjustable with Lock



GVM: 6500kg
6500kg

GCM: 10000kg
10000kg

Optional: GVM: 4500kg GCM: 8000kg
GVM: 4500kg GCM: 8000kg



BRAKES

Type: Ventilated Disc, Dual Caliper
Hydraulic Dual Circuit with ABS
Size - Front: 235x40mm
- Rear: 235x40mm
Park Brake: Transmission Mounted
Auxiliary: Exhaust Brake
Vacuum Reservoir Capacity: 4.0 Litres

FRONT SUSPENSION

Type: Parabolic Leaf with Stabiliser Bar
Size: 1200x70mm Leaves
Shock Absorbers: Double Acting

REAR SUSPENSION

Type: Semi-Elliptic Leaf with Stabiliser Bar
Size: 1250x70mm Leaves
Auxiliary: 990x70mm Leaves
Shock Absorbers: Double Acting

CHASSIS

Type: Reinforced Tapered Channel
Size: 193x61.5x6.0mm
Width: 753mm
Tensile Strength: 440 MPa

WHEELS & TYRES

Wheel - Type: 7, Single Piece Disc
- Size: 16x6K-115-9t
- Stud Pattern: 6x208mm PCD
Tyre - Size: 205/85R16LT 117/115L
Spare Tyre Carrier: Provided

OPTION

H31: 4500/8000kg GVM/GCM Rating

MASS (kg - estimated)

Model	Front	Rear	Total
FE84DE6SRFAB	1735	710	2445
FE84DEWSRFAB	1850	790	2640

Note: Mass (est.) includes oil and water but excludes spare wheel, tools & fuel.

INSTRUMENTS

Gauges: Speedometer with Odometer & Dual Tripmeter
Tachometer
Fuel Level, Water Temperature
Warning Lamps: High Beam
Turn Signal / Hazard Warning
Park Brake / Brake Dual Circuit
Exhaust Brake, Low Vacuum, ABS
Engine Pre-Heat
Alternator
Low Oil Pressure
Engine Control (ECU)
Fuel Water Separator
Heated Mirrors
Dual SRS Air Bags (Driver & Far Side Passenger)

CAB FEATURES

All Steel Forward Control

Type: E. Manual Tilt 45°
EW. Fixed
Mounting: E. Hydroelastic 4 Point
EW. Isolated Rubber 6 Point
Natural White
Fully Trimmed
Laminated Tinted
Windscreen: 2 Speed + Intermittent Cycle
with Integrated Washer Nozzles
Telescopic & Tilt
Steering Column: 1 x Internal, 2 x External Convex (ECE R46) - Heated
Rear Vision Mirrors: E. 3
EW. 7
Seating Capacity: E. 2 ELR Lap Sash, 1 Lap
EW. 4 ELR Lap Sash, 3 Lap
228mm Sliding
47° Reclining
Headrest & Fabric Trim
Seats - Driver: Flat Folding, 2 Passenger Bench
LH Headrest & Fabric Trim
Bench Type
- LH: Bench Type
- Rear EW: Low Back with Fabric Trim

MAX. LOADING

Front	Rear	Total*
2570kg	4300kg	6500kg

*Optional 4500kg total loading.



1. New powerful, lower emission engine has 7% more power and 29% more torque* for even better performance. (*compared to ADR80/00 model)
2. Front and rear disc brakes with ABS provide superior stopping power and safety.
3. Spacious "not so squeezey" cab makes for an extremely comfortable mobile workplace.
4. Feature packed cab with dash mounted gear stick, air conditioning, CD player, power windows and keyless central locking.
5. Doors open wide for easier access to cab.
6. Dual Airbags and Seat Belt Pre-Tensioners (driver and far passenger) for improved safety and piece of mind.

SPECIFICATIONS



STANDARD FEATURES

Driving

- Dual Air Bags & Seat Belt Pre-Tensioners (Driver & Far Side Passenger)
- Hill Start System
- Keyless Central Locking
- Electric Windows (front only EW)
- 12V Accessory Power Outlet / Cigar Lighter
- Air Conditioner / Heater / Demister
- Radio / CD Player
- Cup Holders (2)
- Interior Sun Visors
- Fluorescent Cabin Lamp
- Interior Dome Lamp with Delay Function
- Engine Idle Speed Control

Storage

- Dash Storage Tray, 2 DIN Glove Compartment
- RH Overhead Storage Pocket
- Door Storage Pockets
- Floor Console, LH Seat Back Trays
- Coat Hooks (except EW)

Cab: External

- Roof Mounting Points (except EW - max. static load 50kg)
- Front End-Outline Marker Lamps
- Door Side Impact Beams (front only EW)
- Tinted Side & Rear Glass

Chassis

- Tool Kit
- Chassis Mounted Tool Box (except EW)
- Reverse Warning Buzzer

DIMENSIONS (mm)

		FE84DE 6SRFAB	FE84DEW SRFAB
Width	Front Fender:	1995	1995
	Rear Axle:	1965	1965
Length	Front Track:	1665	1665
	Rear Track:	1495	1495
	Frame:	753	753
	Max. Body Width:	2300	2300
	A Overall:	6008	6008
	C Front Overhang:	1145	1145
	D Wheelbase:	3350	3350
Height	G Front Axle to Rear of Cab:	525	1525
	H Rear of Cab to Engine Cover:	60	n/a
	I Frame, Engine Cover to Rear Axle:	2765	n/a
	H Rear of Crew Cab to Air Intake Snorkel:	n/a	50
	I Frame, Air Intake Snorkel to Rear Axle:	n/a	1775
	J Frame, Rear Axle to End:	1480	1480
	P Cab to Ground:	2235	2305
	Q Cab to Frame:	1514	1584
R Rear Frame to Ground:	810	810	
	Ground Clearance:	170	170

PERFORMANCE (Calculated - Paved Road)

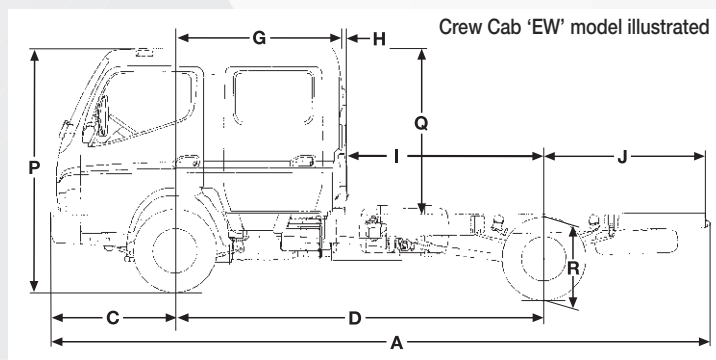
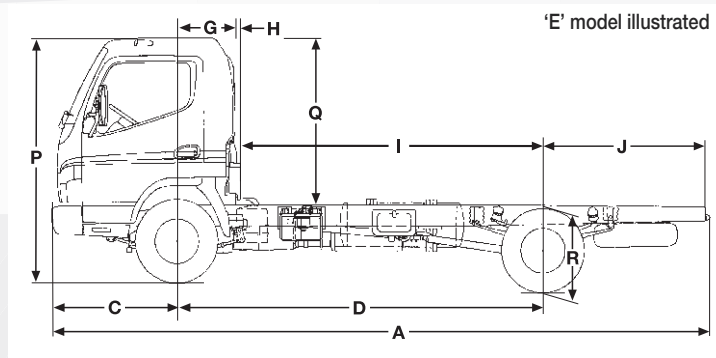
Road Speed (km/h) at Max. Engine Speed:	114	114
Gradeability** at Rated GVM:	39.6%	39.6%
Gradeability** at Rated GCM:	24.2%	24.2%
Turning Circle (kerb to kerb):	12.0m	12.0m

**This is Theoretical Performance (it may vary under different conditions).

WARRANTY

3 Year & 3 Year

Basic/Powertrain
- 3 Years,
100000kms,
2000 operating hours:
and 3 Years Cab
Perforation/Anti Corrosion.
* whichever occurs first.
See www.fuso.com.au for full details.



Note: Chassis reinforcement must be utilised for Tipper/Demountable type body configurations.

To conform with ADR 13/00 and 14/02 (lighting/mirror requirements) the following must be adhered to at body installation.

- If overall width exceeds 2.1 metres and other than a flat type or tipper body is fitted, rear end-outline marker lamps must be installed.
- If overall length exceeds 6.0 metres, side reflectors must be installed.
- If overall width exceeds 2.1 metres and length exceeds 7.5 metres, side marker lamps must be installed.
- FE8-E, EW. If overall width is less than 2.2m, the mirrors must be modified to project not more than 230mm.

To conform with ADR 42/04 (General Safety), rear wheel guards must be fitted to the vehicle.

Unless specified in writing herein the accessories, applications, bodies or equipment depicted in this document are for illustration purposes only and may not be available from Mercedes-Benz Australia/Pacific Pty Ltd (ABN 23 004 411 410) ("MBAuP"). No representation or warranty whatsoever is given in relation to any accessories, applications, bodies or equipment of same that are shown herein that may be manufactured, supplied or fitted by a party other than MBAuP. MBAuP reserves the right without notice or obligation to discontinue or make changes to the colour, designs, materials and specifications of the products and options referred to herein at any time. For the most current information and in order to ascertain which accessories, applications, bodies and equipment are available from MBAuP please contact your authorised Mitsubishi FUSO truck and bus dealer. Fuso is a registered trademark of Mitsubishi Fuso Truck & Bus Corporation. Copyright © MBAuP. Reproduction in whole or part prohibited without written approval. Specifications contained herein apply to models built in Japan from May 2009. Date: August '09 Part No. TSC14B

