

CANTER 3.5t

FE84P
4x2 Diesel



MODEL	W/Base	GVM	GCM
FE84PCDSRFAA swb Tipper	2750mm	6500kg	10000kg
FE84PE6SRFAA mwb	3350mm	6500kg	10000kg
FE84PEWSRFAA mwb Crew Cab	3350mm	6500kg	10000kg

ENGINE

Mitsubishi 4D34-3AT3B Diesel (ADR 80/00)
 Configuration: 4 Cyl. In-line OHV
 Type: Turbocharged and Intercooled with Quick Heat Glow Plugs and Catalytic Converter
 Displacement: 3907cc
 Bore x Stroke: 104 x 115mm
 Power (ECE R85-00): 103kW @ 2900 rpm
 Torque (ECE R85-00): 365Nm @ 1600 rpm
 Maximum Engine Speed: 3400 rpm
 Compression Ratio: 18.0:1
 Oil Cooler: Plate Type, Water Cooled

FUEL

Pump: MD-TICS (pre-stroke control) In-line Type
 Governor: RED-III Electronic
 Controls: Key Operated Start/Fuel, Engine Idle and Engine Emergency Stop
 Filtration: Main Filter and Water Separator
 Fuel Capacity: CD, E. 125 Litres EW. 90 Litres
 Air Cleaner: Dry Paper Element with Vertical Intake

COOLING

Fan: 430mm dia. 8 Blades
 Fan Drive: Thermo Modulated
 Radiator: Corrugated Fin with Expansion Tank

ELECTRICAL

Voltage: 12V Negative Earth
 Alternator Capacity: 12V-100 amp
 Starter Capacity: 12V-3.0kW
 Battery Capacity: 2x12V, 110Ah/20hr in Parallel
 Headlamp: 2x55/60W Quartz Halogen

CLUTCH

Mitsubishi C4W30D
 Disc Diameter: 300mm
 Type: Single Dry Plate
 Operation: Hydraulic with Direct Power Cylinder
 Facing - Area: Asbestos Free - 846cm²

TRANSMISSION

Mitsubishi M035S5
 No. of Speeds: 5 with In-Dash Gearshift Control
 Synchronesh: 2nd~5th
 Ratios - 1st: 5.380
 - 2nd: 3.028
 - 3rd: 1.700
 - 4th: 1.000
 - 5th: 0.722
 - Rev. 5.380
 PTO Opening: LH Side

PROPELLER SHAFT

Type: P3
 Universal Joint: Needle Roller

FRONT AXLE

Type: Reverse Elliot 'I' Beam
 Capacity - Axle: 2500kg
 Max. Axle Load Rating at Ground: 2500kg

REAR AXLE

Mitsubishi D033H
 Type: Full Floating Hypoid CD. Postive Locking LSD
 Capacity - Axle: 4300kg
 Max. Axle Load Rating at Ground: 4300kg
 Ratio: 5.285:1

STEERING

Type: Integral Power Assisted Ball and Nut
 Ratio: 22.6:1
 Steering Wheel: 400mm Urethane
 Steering Column: Tilt/Telescopic Adjustable with Lock

BRAKES

Type: Vacuum Assisted Hydraulic Dual Circuit with ABS (anti-lock braking system) and Automatic Brake Adjustment
 Size - Front: 320x75mm
 - Rear: 320x75mm
 Lining - Area/Swept: Asbestos Free - 2088/3017cm²
 Park Brake: Transmission Mounted
 Auxiliary: Exhaust Brake
 Vacuum Reservoir Capacity: 4.0 Litres

FRONT SUSPENSION

FE84PCDSRFAA
 Type: Semi-Elliptic Leaf with Stabiliser Bar
 Size: 1200x70x11mm-5 Leaves
 Capacity at Ground: 1350kg ea.
 Shock Absorbers: Double Acting
FE84PE6SRFAA/EWSRFAA
 Type: Long Taper Leaf with Stabiliser Bar
 Size: 1200x70x14mm-1 Leaves
 Capacity at Ground: 1450kg ea.
 Shock Absorbers: Double Acting

REAR SUSPENSION

Type: Semi-Elliptic Leaf with Stabiliser Bar
 Size: 1250x70x11mm-5 Leaves
 10mm-1
 Auxiliary: 990x70x8mm-5 Leaves
 9mm-2
 Capacity at Ground: 2400kg ea.
 Shock Absorbers: Double Acting

CHASSIS

Type: Reinforced Tapered Channel
 Size: 193x60x6.0mm
 Width: 753mm
 Tensile Strength: 440 MPa

WHEELS & TYRES

Wheel - Type: 7, Single Piece Disc
 - Size: 16x5.5K-115-9t
 - Stud Pattern: 5x208mm PCD
 Tyre - Size: 205/85R16LT 117/115L
 CD. Traction Tread to Rear
 Spare Tyre Carrier: Provided

OPTIONAL EQUIPMENT

H31: 4495/7995kg GVM/GCM Rating
 R31: Horizontal Exhaust Outlet
 R36: Driver's Air Bag & Seat Belt Pre-Tensioner
 R37: R31 + R36 in Combination

MASS (kg - estimated)

Model	Front	Rear	Total
FE84PCDSRFAA	1735	1205	2940
FE84PE6SRFAA	1620	705	2325
FE84PEWSRFAA	1745	785	2530

Note: Mass (est.) includes oil and water but excludes spare wheel, tools and fuel.

CAB FEATURES

All Steel Forward Control

Type:	CD, E. Manual Tilt 45° EW. Fixed
Mounting:	CD, E. Hydroelastic 4 Point EW. Isolated Rubber 6 Point
Colour:	Natural White
Interior:	Fully Trimmed
Windscreen:	Laminated Tinted
Windscreen Wipers:	2 Speed - Intermittent Cycle with Integrated Washer Nozzles
Rear Vision Mirrors:	1 x Internal 2 x External Convex (ECE R46) - Heated
Seating Capacity:	CD, E. 3 EW. 7
Seat Belts:	CD, E. 2 ELR Lap Sash, 1 Lap EW. 4 ELR Lap Sash, 3 Lap
Seats	<u>Driver:</u> - 228mm Sliding - 47° Reclining - Headrest and Fabric Trim <u>LH:</u> - Flat Folding, 2 Passenger Bench Type with Reclining Adjustment - LH Headrest and Fabric Trim <u>Rear EW:</u> - Bench Type - Low Back with Fabric Trim

INSTRUMENTS

Gauges:

- Speedometer with Odometer and Dual Tripmeter
- Tachometer
- Fuel Level, Water Temperature

Warning Lamps:

- High Beam
- Turn Signal/Hazard Warning
- Park Brake/Brake Dual Circuit
- Exhaust Brake, Low Vacuum, ABS
- Engine Pre-Heat
- Alternator
- Low Oil Pressure
- Engine Control (ECU)
- Heated Mirrors
- Rear Body (CD. only)
- SRS Air Bag (R36 opt. only)

STANDARD EQUIPMENT

- Electric Windows (front only)
- Keyless Central Locking
- Door Side Impact Beams (front only)
- Tinted Side and Rear Glass
- **Air Conditioner/Heater Demister**
- AM/FM ETR Radio with CD Player and Digital Clock
- Dash Storage Tray, 2 DIN Glove Compartment
- RH Overhead, Map and Door Storage Pockets
- Floor Console, LH Seat Back Trays
- Cup Holders (2)
- Coat Hooks (except EW)
- Interior Sun Visors
- Fluorescent Cabin Lamp (except EW)
- Interior Dome Lamp with Delay Function
- Front End-Outline Marker Lamps (except CD)
- Cigar Lighter
- Engine Access Panel
- Roof Mounting Points
(except EW - max. static load 50kg)
- Electric Horn
- Reverse Warning Buzzer
- Tool Kit
- Chassis Mounted Tool Box (except EW)
- Vertical Exhaust Outlet

TIPPER BODY (CD)

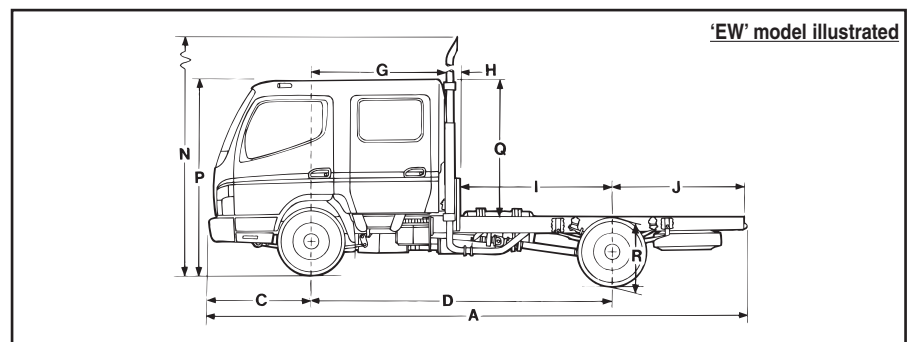
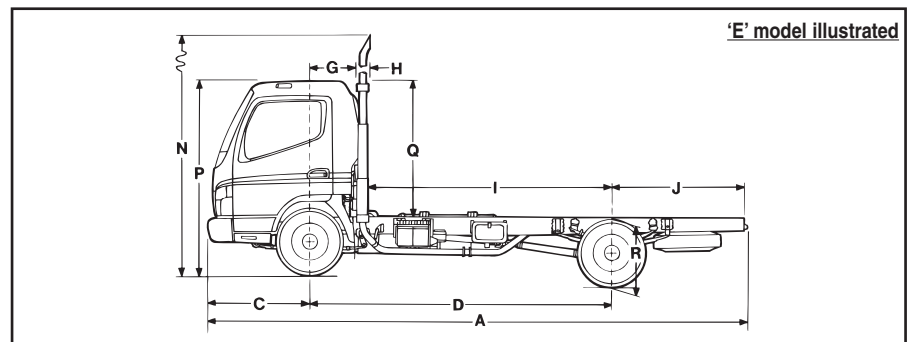
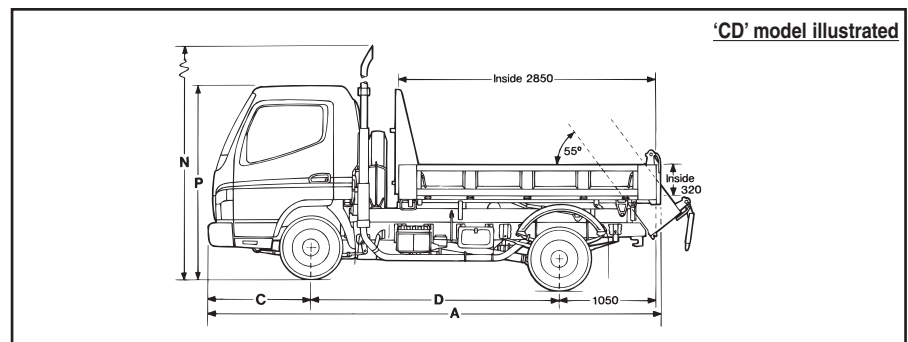
Body Width - Outside:	1990mm
- Inside:	1900mm
Floor Height:	1075mm
Capacity:	1.73m³

DIMENSIONS (mm)

		FE84PCD SRFAA	FE84PE 6SRFAA	FE84PEW SRFAA	
Width	Front Fender:	1995	1995	1995	
	Rear Axle:	1990	1936	1936	
	Front Track:	1665	1665	1665	
	Rear Track:	1495	1495	1495	
	Frame:	753	753	753	
	Max. Body Width - General Application:	n/a	2300	2300	
	Length	A Overall:	4995	6015	6015
		C Front Overhang:	1145	1145	1145
		D Wheelbase:	2750	3350	3350
		G Front Axle to Rear of Cab:	525	525	1525
H Rear of Cab to Vertical Exhaust:		121	121	131	
I Frame, Exhaust to Rear Axle:		n/a	2704	1694	
J Frame, Rear Axle to End:		n/a	1480	1480	
Height		N Overall:	3235	3235	2695
	P Cab to Ground:	2185	2185	2245	
	Q Cab to Frame:	1514	1514	1514	
	R Rear Frame to Ground:	n/a	770	770	
	Ground Clearance:	185	185	185	

PERFORMANCE (Calculated - Paved Road)

Road Speed (km/h) at Max. Engine Speed:	123	123	123
Gradeability at Rated GVM:	44.2%	44.2%	44.2%
Gradeability at Rated GCM:	26.8%	26.8%	26.8%
Turning Circle (kerb to kerb):	10.2m	12.0m	12.0m



Note: Chassis reinforcement must be utilised for Tipper/Demountable type body configurations.

To conform with ADR 13/.. and 14/.. (lighting/mirror requirements) the following must be adhered to at body installation.

- If overall width exceeds 2.1 metres and other than a flat type or tipper body is fitted, rear end-outline marker lamps must be installed.
- If overall length exceeds 6.0 metres, side reflectors must be installed.
- If overall width exceeds 2.1 metres and length exceeds 7.5 metres, side marker lamps must be installed.
- FE8-E, EW. If overall width is less than 2.2m, the mirrors must be modified to project not more than 230mm.

"Unless specified in writing herein the accessories, applications, bodies or equipment depicted in this document are for illustration purposes only and may not be available from DaimlerChrysler Australia/Pacific Pty Ltd (ABN 23 004 411 410) ("DCAuP"). No representation or warranty whatsoever is given in relation to any accessories, applications, bodies or equipment or suitability of same that are shown herein that may be manufactured, supplied or fitted by a party other than DCAuP. DCAuP reserves the right without notice or obligation to discontinue or make changes to the colour, designs, materials and specifications of the products and options referred to herein at any time. For the most current information and in order to ascertain which accessories, applications, bodies and equipment are available from DCAuP please contact your authorised Mitsubishi FUSO truck and bus dealer."
Copyright © DCAuP. Reproduction in whole or part prohibited without written approval.

Date: Oct.'06 Part No. T08L

