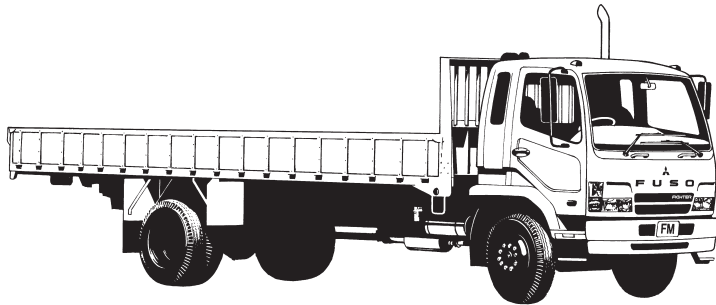


FIGHTER 10.0

FM65/7F
199kW 4x2



FUSO

MODEL	W/Base	GVM	GCM	
FM65FH2RFAE swb 9 spd	4280mm	16000kg	32000kg	} Steel Rear Suspension
FM65FL2RFAE mwb 9 spd	5080mm	16000kg	32000kg	
FM65FM2RFAE lwb 9 spd	5550mm	16000kg	32000kg	
FM65FP2RFAE xlwb 9 spd	6080mm	16000kg	32000kg	
FM67FM2RFAH lwb 9 spd	5550mm	16000kg	32000kg	} Air Rear Suspension
FM67FP2RFAH xlwb 9 spd	6080mm	16000kg	32000kg	

ENGINE

Mitsubishi 6M60-1AT2 Diesel (ADR80/00)
 Configuration: 6 Cyl. In-line OHC, 4-Valve
 Type: Turbocharged with Air to Air Intercooler, Common Rail Fuel System and Catalytic Converter
 Displacement: 7545cc
 Bore: 118mm
 Stroke: 115mm
 Power (ECE R85-00): 199kW @ 2600 rpm
 Torque (ECE R85-00): 785Nm @ 1400 rpm
 Maximum Engine Speed: 2900 rpm
 Compression Ratio: 17.8:1
 Oil Cooler: Plate Type, Water Cooled

FUEL

Injection System: DENSO Common Rail System
 Governor: Electronic, Speed Limited to 100 km/h
 Controls: Key Operated Start/Fuel Engine Idle Emergency Stop
Cruise Control (range 40-100 km/h)
 Filtration: Main Filter and Water Separator
 Fuel Capacity: 185 Litres
 Air Cleaner: Dual Element Cyclopac with Vertical Intake and Air Restriction Indicator

COOLING

Fan: 520mm dia. 6 Blades
 Fan Drive: Thermo Modulated
 Radiator: Corrugated Fin with Expansion Tank

ELECTRICAL

Voltage: 24V Negative Earth
 Alternator Capacity: 24V-50 amp
 Starter Capacity: 24V-5.0kW
 Battery Capacity: 2x12V, 65Ah/20hr
 Headlamp - Type: Quartz Halogen Multi Parabola
 - Capacity: Low Beam 2x70W High Beam 4x70W

CLUTCH

Mitsubishi C7M38
 Disc Diameter: 380mm
 Type: Single Dry Plate
 Operation: Air Assisted Hydraulic
 Facing - Area: Cerametallic - 638.4cm²

TRANSMISSION

Eaton FS-8209
 No. of Speeds: 9
 Synchronesh: 1L-4H
 Ratios - Low: 12.64
 - 1st: 8.81 2.48
 - 2nd: 6.55 1.85
 - 3rd: 4.77 1.34
 - 4th: 3.55 1.00
 - Rev. 13.21
 PTO Opening: LH Side

PROPELLER SHAFT

Type: P12
 Universal Joint: Needle Roller

FRONT AXLE

Mitsubishi F070T
 Type: Reverse Elliot '1' Beam
 Capacity - Axle: 6000kg
 Max. Load Rating at Ground: 6000kg

REAR AXLE

Mitsubishi R080T/D10H
 Type: Full Floating Hypoid
 Capacity - Axle: 10800kg
 Max. Load Rating at Ground: 10000kg
 Ratio: FM65FH, 4.625:1
 FM65FL, M, P, 4.222:1
 FM67FM, P, 4.222:1

STEERING

Type: Integral Power Assisted Ball and Nut
 Ratio: 22.4:1
 Steering Wheel: 450mm Urethane
 Steering Column: Tilt/Telescopic Adjustable with Lock

BRAKES

Type: Full Air, Dual Circuit, Mitsubishi Taper Roller with Automatic Brake Adjustment
 Size - Front: 410x150mm
 - Rear: 410x200mm
 Lining - Area/Swept: Asbestos Free - 5820/9020cm²
 Park Brake: Rear Wheel Spring Actuated
 Auxiliary: Exhaust Brake
 Compressor: Water Cooled, 340cc Single Cyl.
 Air Dryer Model: DU-5

FRONT SUSPENSION

Type: Parabolic Leaf
 Size: 1400x80x19mm-4 Leaves
 Capacity at Ground: 3400kg ea.
 Shock Absorbers: Double Acting

REAR SUSP. (FM65 - Steel)

Type: Semi-Elliptic Leaf
 Size: 1400x80x11mm-10 Leaves
 Auxiliary: 960x80x11mm-10 Leaves
 Capacity at Ground: 5100kg ea.

REAR SUSP. (FM67 - Air)

Type: Trailing Arm with Air Dump Control
 RFCN: RF2043
 Trailing Arm: (615+380)x80x35mm-2 Leaves
 Capacity at Ground: 10000kg total
 Shock Absorbers: Double Acting

CHASSIS

Type: Parallel Channel
 Size: 280x90x8.0mm
 Width: 840mm
 Tensile Strength: 55kg/mm²

WHEELS & TYRES

Wheel - Type: 7, Single Piece Disc
 - Size: 22.5x8.25DC-165-12t
 - Stud Pattern: 10x335mm PCD
 Tyre - Size: FM65FH, 11R22.5 148/145L
 H. Traction Tread to Rear
 FM65FL, M, P, 275/70R22.5 148/145L
 FM67FM, P, 275/70R22.5 148/145L
 Spare Tyre Carrier: Provided

OPTIONAL EQUIPMENT

R50 (M, P. only): 370 Litre (2x185) Fuel Capacity

MASS (kg - estimated)

Model	Front	Rear	Total
FM65FH2RFAE	2755	1815	4570
FM65FL2RFAE	2820	1860	4680
FM65FM2RFAE	2835	1885	4720
FM65FP2RFAE	2815	2025	4840
FM67FM2RFAH	2835	1825	4660
FM67FP2RFAH	2815	1950	4765

Note: Mass (est.) includes oil and water but excludes spare wheel, tools and fuel.

CAB FEATURES

All Steel Forward Control

Type:	Manual Tilt 44 deg.
Mounting:	Hydroelastic Suspension 4 Point
Colour:	Natural White
Interior:	Fully Trimmed
Windscreen:	Laminated Tinted
Windscreen Wipers:	2 Speed - Intermittent Cycle
Rear Vision Mirrors:	RH. Heated LH. Remote/Heated with Convex Spotter
Seating Capacity:	3
Seat Belts:	2 ELR Lap Sash, 1 Lap
Seats	<u>Driver:</u> - Air Suspension with Auto Levelling Height Control - 32 Stage Reclining - 11 Stage Sliding - Front and Rear Height Adjuster - Lumbar Support - Integral Headrest and Fabric Trim
	<u>Centre:</u> - Low Back with Fabric Trim - Forward Folding
	<u>LH:</u> - Fixed Base - 32 Stage Reclining - Integral Headrest and Fabric Trim

INSTRUMENTS

Gauges:

- Speedometer with Odometer and Dual Tripmeter
- Tachometer
- Air Pressure (2)
- Fuel Level
- Water Temperature
- Digital Clock

Warning Lamps:

- Turn Signal
- High Beam
- Exhaust Brake
- Park Brake
- Alternator
- Oil Filter Blockage
- Engine/Cruise Control (ECU)
- High/Low Range
- Air Filter Restriction
- Door
- Cab Tilt

Warning Lamp/Buzzer:

- Air Pressure
- Oil Pressure
- Engine Overheat/Low Coolant Level
- Air Rear Suspension (FM67. only)

STANDARD EQUIPMENT

- Electric Windows and Central Locking
- Tinted Side and Rear Glass
- **Air Conditioner/Heater Demister**
- AM/FM ETR Radio with Cassette and CD Player
- Centre Seat Storage Console
- LH Seat Storage Tray
- Overhead Storage Pocket with Lid
- RH Door Storage Pocket
- Rear Bunk Storage Pockets
- Cup Holders (2)
- Opening Rear Quarter Windows
- Interior Sun Visors
- Fluorescent Cabin Lamp
- Interior and Map Reading Lamps
- Windscreen Washers
- Hazard Warning Lamps
- Front End-Outline Marker Lamps
- Cigar Lighter
- Roof Mounting Points (max. static load 50kg)
- Electric Horn
- Reverse Warning Buzzer
- Tool Kit
- Chassis Mounted Tool Box
- Vertical Exhaust Outlet
- Front Bumper Air Dam

DIMENSIONS (mm)

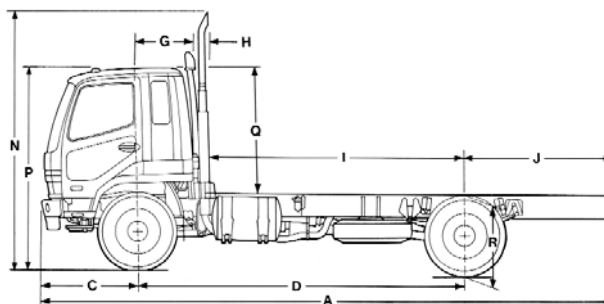
		FM65FH 2RFAE	FM65FL 2RFAE	FM65/7FM 2RFAE/H	FM65/7FP 2RFAE/H
Width	Front Fender:	2370	2370	2370	2370
	Rear Axle:	2435	2435	2435	2435
	Front Track:	1915	1915	1915	1915
	Rear Track:	1815	1815	1815	1815
	Frame:	840	840	840	840
Length	A Overall:	7455	8625	9325	10695
	C Front Overhang:	1245	1245	1245	1245
	D Wheelbase:	4280	5080	5550	6080
	G Front Axle to Rear of Cab:	745	745	745	745
	H Rear of Cab to Vertical Exhaust:	210	210	210	210
Height	I Frame, Exhaust to Rear Axle:	3325	4125	4595	5125
	J Frame, Rear Axle to End:	1930	2300	2530	3370
	N Overall - FM65:	3410	3365	3365	3365
	- FM67:			3350	3350
	P Cab to Ground - FM65:	2680	2635	2635	2635
- FM67:			2630	2630	
Q Cab to Frame:	1654	1654	1654	1654	
R Rear Frame to Ground - FM65:	1080	1035	1035	1035	
- FM67 Suspension - Inflated:			969	969	
- Delfated:			920	920	
Ground Clearance:		250	205	205	

PERFORMANCE (Calculated - Paved Road)

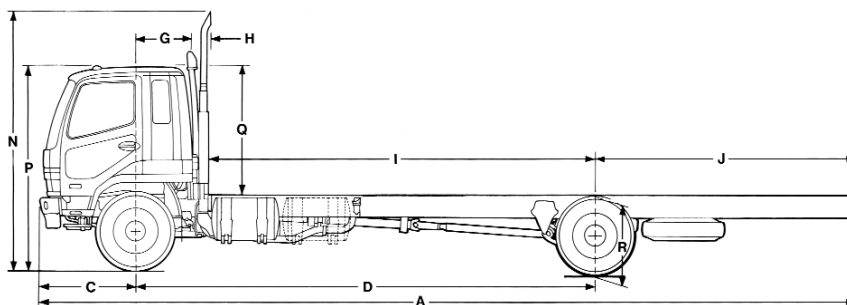
	*100	*100	*100	*100
Electronically Speed Limited to (km/h):	100	100	100	100
Gradeability at Rated GVM:	60.8%	60.7%	60.7%	60.7%
Gradeability at Rated GCM:	26.3%	26.3%	26.3%	26.3%
Turning Circle (kerb to kerb):	15.0m	17.6m	19.0m	20.8m

*Conforms to ADR 65/..

'FM65FH' model illustrated



'FM67FP' model illustrated



Note: Chassis reinforcement must be utilised for Tipper/Demountable type body configurations.

To conform with ADR 13/.. (lighting requirements) the following must be adhered to at body installation.

- Reflective rear marker plates must be installed.
- If other than a flat type or tipper body is fitted, rear end out-line marker lamps must be installed.
- If overall length exceeds 6.0 metres, side reflectors must be installed.
- If overall length exceeds 7.5 metres, side marker lamps must be installed.

"Unless specified in writing herein the accessories, applications, bodies or equipment depicted in this document are for illustration purposes only and may not be available from DaimlerChrysler Australia/Pacific Pty Ltd (ABN 23 004 411 410) ("DCAuP"). No representation or warranty whatsoever is given in relation to any accessories, applications, bodies or equipment or suitability of same that are shown herein that may be manufactured, supplied or fitted by a party other than DCAuP. DCAuP reserves the right without notice or obligation to discontinue or make changes to the colour, designs, materials and specifications of the products and options referred to herein at any time. For the most current information and in order to ascertain which accessories, applications, bodies and equipment are available from DCAuP please contact your authorised Mitsubishi FUSO truck and bus dealer." Copyright © DCAuP. Reproduction in whole or part prohibited without written approval.

Date: Oct. '06 Part No. T22H

