

FIGHTER

FUSO

Fighter 1627 Euro 6.

4x2 / 9-SP MANUAL / STEEL or AIR SUSP.



OUR SAFEST FIGHTER YET WITH ACTIVE MITIGATION BRAKE, LANE DEPARTURE WARNING SYSTEM, ELECTRONIC STABILITY PROGRAM AND ACTIVE SIDEGUARD ASSIST AS STANDARD.

GVM

16,000 KG

GCM

16,000 KG

Power/Torque

199_{KW} / 785_{NM}

- Medium rigid licence required.
- Actual vehicle may differ from above image

FUSO

FIGHTER SPECIFICATIONS

MODEL

A	4x2 1627 Steel Susp. SWB 9 Sp. MAN - FM65FH6RFAK
B	4x2 1627 Steel Susp. XXLWB 9 Sp. MAN - FM65FS6RFAK
C	4x2 1627 Air Susp. XLWB 9 Sp. MAN - FM67FM6RFAK
D	4x2 1627 Air Susp. XXLWB 9 Sp. MAN - FM67FS6RFAK

WHEEL BASE

4280mm
6500mm
5550mm
6500mm

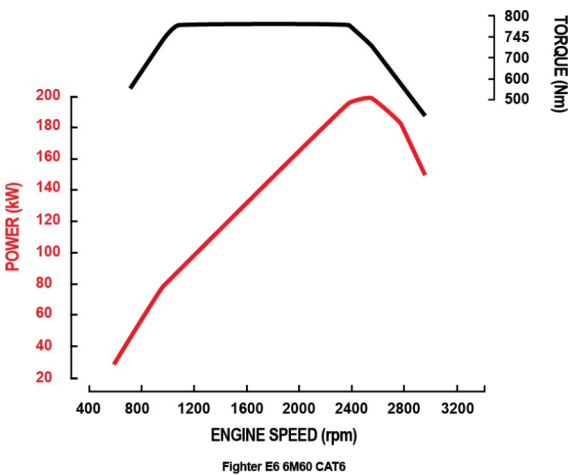
GVM

16,000kg
16,000kg
16,000kg
16,000kg

GCM

16,000kg
16,000kg
16,000kg
16,000kg

Engine	
Engine Version	FUSO 6M60-CAT6 Diesel
Configuration	6 Cyl. In-line OHC, 4-Valve
Type	Variable Geometry Turbo Charged Air to Air Intercooler
Displacement	7.5 litre (7545cc)
Bore	118mm
Stroke	115mm
Power (ECE R85-00)	199kW @ 2500 rpm
Torque (ECE R85-00)	785Nm @ 1100-2400 rpm
Maximum Engine Speed	2900 rpm
Compression Ratio	16.0:1
Cooling System / Oil Cooler	Water cooled, 23.0L capacity/ Plate type engine oil cooler
Air Cleaner	Paper Element Type with Restrictor Indicator. Mounted Underbody (RH)
Emission Control	Diesel Particulate Filter (DPF) Exhaust Gas Recirculation (EGR) Selective Catalytic Reduction (SCR)
Emission Level	ADR 80/03 - Euro VI



Fuel	
Injection System	DENSO Common Rail System Electronically Controlled Direct Injection
Tank Type	A Rectangular Steel Tank B C D Rectangular Alloy Tank with Locking Cap
Fuel Capacity *	A 200 Litres B C D 300 Litres
AdBlue Exhaust Fluid Capacity	49 Litres, Tank fitted with locking AdBlue cap
Speed Limiter	Speed Limited 100km/h
Notes	*Max Fill to approx 95% of Air Capacity

Cooling	
Fan Drive	Electronically controlled (Viscous)
Radiator	Corrugated Fin with Expansion Tank

Electrical	
Voltage	24V Negative Earth
Battery Capacity	2x12V, 80Ah/5hr
Battery Specification	95E41R X2
Headlamp Type	Halogen
Headlamp Capacity	Low beam 2x70W High beam 2x70W
Fog Light	Halogen

Clutch	
Clutch Model	FUSO C7M38
Type	Single Plate
Operation/Specification	Air Assisted Hydraulic

Transmission	
Version	Eaton Manual ES-11109 (Fuso Code M060S9)
Type/Speeds	9 Speed
Features	Synchromesh 1L~4H
Ratios	Low Range Low: 12.64 1st: 8.81 2nd: 6.55 3rd: 4.77 4th: 3.55 High Range 1st: 2.48 2nd: 1.85 3rd: 1.34 4th: 1.00 Rev. 13.21
PTO Opening	LH Side

Propeller Shaft	
Type	P12
Universal Joint	Needle Roller

Front Axle	
Axle Version	FUSO F650T
Type	Reverse Elliot 'I' Beam
Capacity *	6300kg
Notes	*See MAX LOADING for vehicle capacity.

Front Suspension	
Type	Parabolic Leaf with Double Acting Shock Absorbers
Size	1400x80mm Leaves

Rear Axle	
Type	Full Floating Banjo Type
Axle Version	FUSO R080T/D10H
Capacity*	10800kg
Ratio	A B 4.625:1 C D 4.222:1
Notes	*See MAX LOADING for vehicle capacity.

Rear Suspension		
Type	A B Steel Suspension C D Air Suspension	
Details	A B Semi-Elliptic Leaf C D Trailing Arm with Double Acting Shock Absorber and CLCS	
Size Main Leaves	A B 1400x80mm C D N/A	
Size Helper Leaves	A B 960x80mm C D N/A	
Air Spring	A B N/A C D 2x250mm dia.	
Trailing Arm	A B N/A C D 615+380 x 80 x 35 - 2 Leaves	
Capacity at Ground *	A B N/A C D 10000kg total	
Notes	CLCS - Chassis Level Control System. Electronic height control of air suspension via steering wheel. 2 memory positions.	

Max Loading	
Front	6000kg
Rear	10000kg
Total	16000kg
Notes	GCM 16,000 kg, no towing capacity.

FIGHTER SPECIFICATIONS

MODEL

A	4x2 1627 Steel Susp. SWB 9 Sp. MAN - FM65FH6RFAK
B	4x2 1627 Steel Susp. XXLWB 9 Sp. MAN - FM65FS6RFAK
C	4x2 1627 Air Susp. XLWB 9 Sp. MAN - FM67FM6RFAK
D	4x2 1627 Air Susp. XXLWB 9 Sp. MAN - FM67FS6RFAK

WHEEL BASE

4280mm
6500mm
5550mm
6500mm

GVM

16,000kg
16,000kg
16,000kg
16,000kg

GCM

16,000kg
16,000kg
16,000kg
16,000kg

Options

Steering

Type	Integral Power Assisted Ball and Nut
Steering Column	Tilt/Telescopic Adjustable

Brakes

Type	Full Air, Dual Circuit, FUSO Taper Roller, ABS, Automatic Brake Adjustment
Size Front	410x150mm
Size Rear	410x200mm
Park Brake	Rear Wheel Spring Actuated
Auxiliary	Exhaust Brake
Compressor	Water Cooled, 340cc Single Cyl.

Wheels & Tyres

Wheel Type	7 x Single Piece Steel Disc Including Spare	
Wheel Size	22.5x8.25DC-165-13t	
Wheel Stud Pattern	10x335mm PCD	
Tyre Size All	A B	C D
	11R22.5 148/145L	275/70R22.5 148/145L
Spare Tyre Carrier	Provided	

Chassis

Type	Parallel Channel
Size	280x90x8.0mm
Width	841mm
Tensile Strength	540 MPa

Instruments

Gauges	Speedometer Tachometer Fuel Level Air Pressure AdBlue Level
Colour Information Display	Odometer Tripmeter (x2) Hour Meter (x2) Outside Temperature AdBlue Level DPF Information Driving Range (Fuel and AdBlue) Current Vehicle Speed Cruise Control Lane Departure Warning Active Attention Assist Warning Alarm Clock Level Control Service Indicator & Reminder System Air Pressure Coolant Temperature Engine Oil Level & Running Time

Multi-Media Package

Satellite Navigation	Maps with heavy vehicle weight, length, height & hazardous material selectable restrictions with 3 years of Map updates
Colour Display	6.2 inch LCD with touch screen control
Phone Connectivity	Bluetooth® hands free
Audio Visual Entertainment	Bluetooth® music streaming compatible Digital radio DAB+ (also AM/FM for areas not covered by DAB+) USB & 3.5mm/AUX port
Reversing Camera Compatible	1 Reverse Camera fitted as standard Display can accept up to 4 additional cameras#
Optional Accessories (available at additional cost)	Rear Mounted Parking Sensor Kit High or Low Tyre Pressure Monitoring System

Cab Features

Type	All Steel Forward Control Manual Tilt 44 deg.
Mounting	Hydroelastic Susp. 4 Point
Colour	Natural White
Interior	Fully Trimmed
Windscreen Wipers	Automatic 2 Speed + Intermittent Cycle with Integrated Washer Nozzles
Rear Vision Mirrors	Remote / Heated with Convex Spotter (Both sides)
Seating Capacity	3
Seat Belts	2 ELR Lap Sash, 1 Lap Driver pre-tensioner
Seat (driver)	ISRI Suspended with Weight Adjustment, LH Arm Rest and Lumbar Support
Seats (passenger)	Centre: Low Back with Fabric Trim Forward Folding Far Passenger: Fixed Base with Reclining Seat Back, Integral Headrest and Fabric Trim

Active Safety

Safety Systems	AMB plus - Active Mitigation Brake ESP - Electronic Stability Program AAA - Active Attention Assist ASA - Active Sideguard Assist LDWS - Lane Departure Warning System ABS - Anti-lock Braking System DRL - Daytime Running Lamps
Reverse Warning	Wide Dynamic Range Camera and Buzzer
Notes	Active Safety Systems primary function is to provide driver assistance to increase road safety in events of driver inattentiveness. These systems do not allow for lack of attention whilst driving and should not replace safe and alert driving.

Passive Safety

Airbags	SRS Airbag - Driver
Seat Belts	Driver Seat Belt Pre-tensioner

Service Intervals

Interval*	20,000km or 12 Months whichever occurs first
-----------	--

Warranty

Basic/Powertrain	5 Years or 350,000kms (whichever occurs first)
------------------	--

Performance

Turning Circle (kerb to kerb - metres)	A	B D	C
	14.6	21.4	18.4

Electronically Speed Limited to:	100km/hr Conforms to ADR65/..
----------------------------------	----------------------------------

Gradeability at Rated GVM (theoretical)*	54%
--	-----

Notes	*This is theoretical performance only. Actual performance may vary under different conditions
-------	---

Mass estimated*

Front*	A	B	C	D
	3025kg	3220kg	3130kg	3205kg
Rear*	A	B	C	D
	1975kg	2045kg	1930kg	1990kg
Total*	A	B	C	D
	5000kg	5265kg	5060kg	5195kg
Notes	* Mass (est.) includes oil and water but excludes spare wheel, tools & fuel. Weights provided are subject to 3.5% variation (+/-)			

FUSO

FIGHTER SPECIFICATIONS

MODEL

A	4x2 1627 Steel Susp. SWB 9 Sp. MAN - FM65FH6RFAK
B	4x2 1627 Steel Susp. XXLWB 9 Sp. MAN - FM65FS6RFAK
C	4x2 1627 Air Susp. XLWB 9 Sp. MAN - FM67FM6RFAK
D	4x2 1627 Air Susp. XXLWB 9 Sp. MAN - FM67FS6RFAK

WHEEL BASE

4280mm
6500mm
5550mm
6500mm

GVM

16,000kg
16,000kg
16,000kg
16,000kg

GCM

16,000kg
16,000kg
16,000kg
16,000kg

Dimensions mm

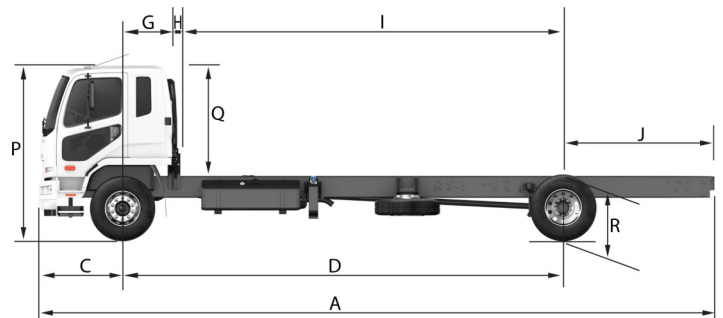
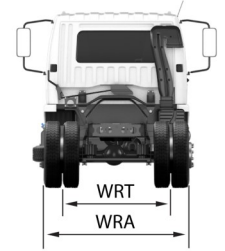
WFF (Width Front Fender) (mm)	2450		
WRA (Width Rear Axle) (mm)	2470		
WFT (Width Front Track) (mm)	1925		
WRT (Width Rear Track) (mm)	1850		
Width Frame (mm)	841		
A - Length Overall (mm)	A	B D	C
	7455	10695	9325
C - Front Overhang (mm)	1245		
D - Wheelbase (mm)	A	B D	C
	4280	6500	5550
G - Front Axle to Rear of Cab (mm)	745		
H - Rear of Cab to Rearmost Item Behind Cab (mm)	205		
I - Rearmost Item Behind Cab to Rear Axle (mm)	A	B D	C
	3330	5550	4600
J - Frame, Rear Axle to End (mm)	A	B D	C
	1930	2950	2530
N - Height Overall (mm)	A	B	C D
	2675	2670	2630
R - Height Rear Frame to Ground (mm)	A	B	C D
	1073	1072	969

Body Builder's Notes

Notes

Chassis reinforcement must be utilised for Tipper/Demountable type body configurations. To conform with ADR 13/00 and 14/02 (lighting/mirror requirements) the following must be adhered to at body installation.

- If other than a flat type or tipper body is fitted, rear end out-line marker lamps must be installed.
- If overall length exceeds 6.0 metres, side reflectors must be installed.
- If overall length exceeds 7.5 metres, side marker lamps must be installed.
- If overall width is less than 2.4 metres, the mirrors must be modified to project not more than 230mm. To conform with ADR 42/04 (General Safety), rear wheel guards must be fitted to the vehicle.



Call 1800 033 557

or visit fuso.com.au

Unless specified in writing herein the accessories, applications, bodies or equipment depicted in this are for illustration purposes only and may not be available from Daimler Truck Australia Pacific Pty Ltd. ABN 86 618 413 282 DTAuP. No representation or warranty whatsoever is given in relation to any accessories, applications, bodies or equipment or suitability of same that are shown herein that may be manufactured, supplied or fitted by a party other than DTAuP. DTAuP reserves the right without notice or obligation to discontinue or make changes to the colour, designs, materials and specifications of the products and options referred to herein at any time. For the most current information and in order to ascertain which accessories, applications, bodies and equipment are available from DTAuP please contact your authorised FUSO dealer. Fuso is a registered trademark of Daimler Truck Australia Pacific Pty Ltd. Copyright DTAuP. Reproduction in whole or part prohibited without written approval. Part Number TSF71A. Valid from 17-May-21.