

SHOGUN

FUSO

Shogun FS72 8x4 - MY21

10.7L / AMT / MECH SUSP. / LWB



OUR SAFEST AND CLEANEST SHOGUN YET. THE MY21 SHOGUN IS EQUIPPED WITH ABA5, PD, LDWS, ESP, AAA, ASGA, IHC, DRL AND A EURO VI STEP D ENGINE. ALL BACKED BY OUR CLASS LEADING SERVICE INTERVALS AND 5 YEAR WARRANTY.

GVM

30,800_{KG}

GCM

53,000_{KG}

Power/Torque

290_{KW} / 2000_{NM}

335_{KW} / 2200_{NM}

- Heavy rigid licence required
- Actual vehicle may differ from above image

FUSO

SHOGUN SPECIFICATIONS

MODEL

A	8x4 FS72 395Hp Steel Susp. LWB 12 Sp. AMT FS72HS2VFAA-MY21
B	8x4 FS72 455Hp Steel Sups. Std Roof LWB 12 Sp. AMT FS72HS4VFAA-MY21
C	8x4 FS72 455Hp Steel Susp. High Roof LWB 12 Sp. AMT FS72HS4VFAB-MY21

WHEEL BASE

5870mm
5870mm
5870mm

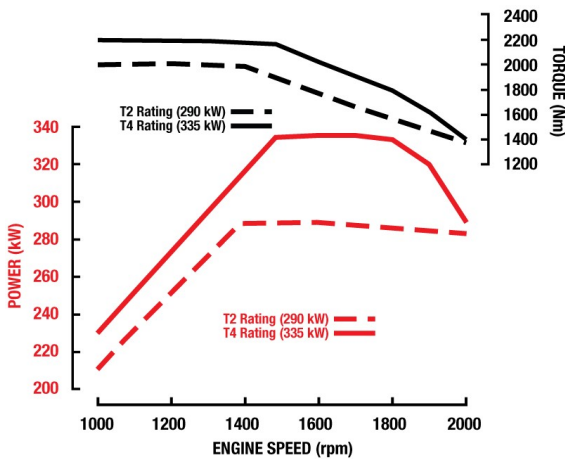
GVM

30,800kg
30,800kg
30,800kg

GCM

53,000kg
53,000kg
53,000kg

Engine		
Engine Version	A FUSO OM470-T2 Diesel	B C FUSO OM470-T4 Diesel
Configuration	6 Cyl. In-line OHV	
Type	Asymmetric Turbocharger, Air to Air Intercooler	
Displacement	10.7 litre (10677 cc)	
Bore	125 mm	
Stroke	145 mm	
Power (DIN)	A 290 kW (395 hp) @ 1600 rpm	B C 335 kW (455 hp) @ 1600 rpm
Torque (DIN)	A 2000 Nm (1475 lb.ft) @ 1100 rpm	B C 2200 Nm (1622 lb.ft) @ 1100 rpm
Maximum Engine Speed	2100 rpm	
Compression Ratio	18.5:1	
Air Cleaner	Paper Element Type with Restrictor Indicator. Vertical Intake Mounted on Clean Air Side (RH)	
Emission Control	Diesel Particulate Filter (DPF) plus SCR After-Treatment System	
Emission Level	ADR 80/03 - Euro VI	



Fuel	
Injection System	Common Rail Direct Injection with Pressure Booster
Tank Type	Rectangular Alloy Tank with Locking Cap
Fuel Capacity *	400 Litres
Filtration	Filter with Water Separator and Dash Indicator
AdBlue Exhaust Fluid Capacity	60 Litres, Tank fitted with locking AdBlue cap
Speed Limiter	Speed Limited 100km/h
Notes	*Max Fill to approx 95% of Air Capacity

Cooling	
Fan Drive	Electronically controlled (Viscous)
Radiator	Corrugated Fin with Expansion Tank

Electrical	
Voltage	24V Negative Ground
Battery Capacity	2x12V, 150Ah/20hr
Battery Specification	2x145G51 (N150)
Headlamp Type	Automatic Type Low Beam: LED High Beam: Halogen
Fog Light	Halogen
Daytime Running Lamps	LED

Clutch	
Clutch Model	FUSO K4/430
Type	Single Dry Plate
Operation/Specification	Automated Manual (no clutch pedal)

Transmission	
Version	FUSO Automated Manual G230-12
Type/Speeds	12 Speed Automated Manual with Auto, Economy and Manual Modes
Features	Crawler Mode Skip Shift Function for Light Loads ECO Mode to Minimise Fuel Usage
Ratios	1st: 11.672 2nd: 9.101 3rd: 7.055 4th: 5.501 5th: 4.400 6th: 3.430 7th: 2.652 8th: 2.068 9th: 1.603 10th: 1.250 11th: 1.000 12th: 0.779 RHigh: 9.101 RLow: 11.672 Torque limited from 1st to 3rd and Reverse
PTO Opening	Rear of Transmission

Front Axle	
Axle Version	FUSO F900T/F900TR
Type	Reverse Elliot 'I' Beam
Capacity *	14200kg total
Notes	*See MAX LOADING for vehicle capacity.

Front Suspension	
Type	Long Taper Leaf with Double Acting Shock Absorbers Load Share Front Suspension
Size	1500x90mm Leaves

Rear Axle	
Type	Full Floating Hypoid Type Tandem Drive with Inter-Axle Diff Lock Optional Limited Slip Differential LSD to both Axles
Axle Version	FUSO R10TT/R10T
Capacity*	21600kg
Ratio	4.625:1
Notes	*See MAX LOADING for vehicle capacities

Rear Suspension	
Type	Mechanical Suspension
Details	Long Leaf Taper, 6 Rod Trunnion
Size Main Leaves	1320x90mm

Max Loading	
Front	13000kg
Rear	21600kg
Total	30800kg



SHOGUN SPECIFICATIONS

MODEL

A	8x4 FS72 395Hp Steel Susp. LWB 12 Sp. AMT FS72HS2VF0AA-MY21
B	8x4 FS72 455Hp Steel Sups. Std Roof LWB 12 Sp. AMT FS72HS4VF0AA-MY21
C	8x4 FS72 455Hp Steel Susp. High Roof LWB 12 Sp. AMT FS72HS4VF0AB-MY21

WHEEL BASE

5870mm
5870mm
5870mm

GVM

30,800kg
30,800kg
30,800kg

GCM

53,000kg
53,000kg
53,000kg

Options

Options	A	B	C
	Q18: - Limited Slip Differential - LSD	Q21: - Limited Slip Differential - LSD	Q24: - Limited Slip Differential - LSD
	Q19: - Limited Slip Differential - LSD - Engine Flywheel - PTO 650N	Q22: - Limited Slip Differential - LSD - Engine Flywheel - PTO 650N	

Steering

Type	Integral Ball and Nut
Steering Column	Tilt/Telescopic Adjustable
Power Assist	8x4 Power Assist Cylinder

Brakes

Type	Full Air, Dual Circuit with FUSO Taper Rollers
Size Front	410x150mm
Size Rear	410x200mm
Features	Brake Priority System
Park Brake	Rear Wheel Spring Actuated
Engine	Jacobs Brake 3 Levels of Retardation
Trailer	Hand Control Valve, Air Lines Coupling and Electrical Cable

Wheels & Tyres

Wheel Type	13, Single Piece Alloy Disc (Including Spare)
Wheel Size	22.5x8.25DC
Wheel Stud Pattern	10x335mm PCD
Tyre Brand	Bridgestone
Tyre Size Front	295/80R22.5 152/148
Tyre Size Rear	11R22.5 148/145
Tyre Size Spare	295/80R22.5 152/148
Spare Tyre Carrier	Provided

Chassis

Type	Reinforced Parallel Channel
Size	300x90x7.0 mm
Width	840 mm
Tensile Strength	540 MPa

Instruments

Gauges	Speedometer Tachometer Fuel Level Air Pressure AdBlue Level
Colour Information Display	Odometer Tripmeter (x2) Hour Meter (x2) Outside Temperature AdBlue Level DPF Information Driving Range (Fuel and AdBlue) Current Vehicle Speed Cruise Control Lane Departure Warning Active Attention Assist Warning Alarm Clock Service Indicator & Reminder System Air Pressure Coolant Temperature Engine Oil Level & Running Time
Warning Lamps	ABS ASR ESP ESP Off Turn Signal Headlamps High Beam Hill Holder Auxiliary Brake Parking Brake Engine Over-speed Air Pressure Low Cab Tilt Lock DPF Regeneration DPF Status AdBlue Empty AdBlue Contamination Active Brake Assist
Warning Lamp/Buzzer	Air Pressure Cab Tilt Engine Over-speed AdBlue Empty AdBlue Contamination

Multi-Media Package

Satellite Navigation	Maps with heavy vehicle weight, length, height & hazardous material selectable restrictions with 3 years of Map updates
Colour Display	7 inch LCD with touch screen control
Phone Connectivity	Bluetooth® hands free
Audio Visual Entertainment	Bluetooth® music streaming compatible Digital radio DAB+ (also AM/FM for areas not covered by DAB+) USB & 3.5mm/AUX port
Reversing Camera Compatible	Display can accept up to 5 cameras#
Optional Accessories (available at additional cost)	Rear Mounted Parking Sensor Kit High or Low Tyre Pressure Monitoring System
Notes	# Cameras available through spare parts



SHOGUN SPECIFICATIONS

MODEL

A	8x4 FS72 395Hp Steel Susp. LWB 12 Sp. AMT FS72HS2VF4AA-MY21
B	8x4 FS72 455Hp Steel Sups. Std Roof LWB 12 Sp. AMT FS72HS4VF4AA-MY21
C	8x4 FS72 455Hp Steel Susp. High Roof LWB 12 Sp. AMT FS72HS4VF4AB-MY21

WHEEL BASE

5870mm
5870mm
5870mm

GVM

30,800kg
30,800kg
30,800kg

GCM

53,000kg
53,000kg
53,000kg

Standard Features

Cruise Control	Adaptive with Stop and Go
Hill Start System	Yes
Cab Cooling & Heating	Climate Control
Accessory Power	24V Accessory Power Outlet (x2) plus Cigar Lighter
Driving	Suspended Driver's Seat Central Locking Electric Windows LH Transom Window Opening Rear Quarter Glass Cup Holder Fluorescent Cabin Lamp
Storage	A Centre Storage Compartment, Driver's Overhead Storage, and Coat Hooks B C Centre Storage Compartments (x3) Total, Lockable x1 Driver's Overhead Storage Storage Pockets Coat Hooks
Cab: External	Fog Lights Door Side Impact Beams Roof Mounting Points max. static load 70kg Front End-Outline Marker Lamps External PTO controls
Chassis	Integrated Front Underrun System (FUPS) Reverse Warning Buzzer Clear Top of Chassis Rail for ease of Body Fitment

Cab Features

Type	All Steel Forward Control Elec / Hyd Tilt Cab
Cab Structure	ECE-R29 Standard
Mounting	Air Suspended Front and Rear
Colour	Natural White
Windscreen Wipers	Automatic 2 Speed + Intermittent Cycle with Integrated Washer Nozzles
Rear Vision Mirrors	2 x External Flat Main Mirrors Plus Convex Spotters Motorised Main Mirrors, All Mirrors Heated
Seating Capacity	A 3 B C 2
Seat Belts	A 2 ELR Lap Sash, 1 Lap 2 x Lap Sash with ELR. Driver pre-tensioner B C Driver pre-tensioner
Seat (driver)	Air Suspension with Height, Tilt and Dampening Adjustment Integral Headrest and Fabric Trim
Seats (passenger)	A 2 Fixed B C Single Fixed
Sleeping	ADR42/04 Approved Sleeping Berth

Active Safety

Safety Systems	ABA5 - Active Brake Assist 5 ASGA - Active Sideguard Assist PD - Pedestrian Detection AAA - Active Attention Assist PCA - Proximity Control Assist Cruise Control LDWS - Lane Departure Warning System ESP - Electronic Stability Program ABS - Anti-lock Braking System ASR - Anti Slip Regulator LED Headlamps DRL - Daytime Running Lamps IHC - Intelligent Headlight Control
Reverse Warning	Wide Dynamic Range Camera and Buzzer
Notes	Active Safety Systems primary function is to provide driver assistance to increase road safety in events of driver inattentiveness. These systems do not allow for lack of attention whilst driving and should not replace safe and alert driving.

Passive Safety

Airbags	SRS Airbag - Driver
Body Strength	ECE-R29 Cab Strength Compliant
Seat Belts - Driver & Driver Assistant	3 Point ELR Lap Sash, Driver Pre-Tensioner.

Service Intervals

Interval*	50,000km or 12 Months (whichever occurs first)
Notes	* based on normal operating conditions and may be reduced when operating under severe conditions.

Warranty

Basic/Powertrain	5 Years or 500,000kms (whichever occurs first)
Cab Perforation/Anti Corrosion	5 Years

Performance

Turning Circle (kerb to kerb - metres)	21.6
Electronically Speed Limited to:	100km/hr Conforms to ADR65/..
Engine Speed (rpm) at 100km/hr (top gear)	1879
Gradeability at Rated GVM (theoretical)*	47.5%
Gradeability at Rated GCM (theoretical)*	28.5%
Notes	*This is theoretical performance only. Actual performance may vary under different conditions

Mass estimated*

Front*	A 5703kg	B 5728kg	C 5768kg
Rear*	A 3032kg	B 3027kg	C 3017kg
Total*	A 8735kg	B 8755kg	C 8785kg
Notes	* Mass (est.) includes oil and water but excludes spare wheel, tools & fuel. Weights provided are subject to 3.5% variation (+/-)		

SHOGUN SPECIFICATIONS

MODEL

- A 8x4 FS72 395Hp Steel Susp. LWB 12 Sp. AMT FS72HS2VF4AA-MY21
- B 8x4 FS72 455Hp Steel Sups. Std Roof LWB 12 Sp. AMT FS72HS4VF4AA-MY21
- C 8x4 FS72 455Hp Steel Susp. High Roof LWB 12 Sp. AMT FS72HS4VF4AB-MY21

WHEEL BASE

- 5870mm
- 5870mm
- 5870mm

GVM

- 30,800kg
- 30,800kg
- 30,800kg

GCM

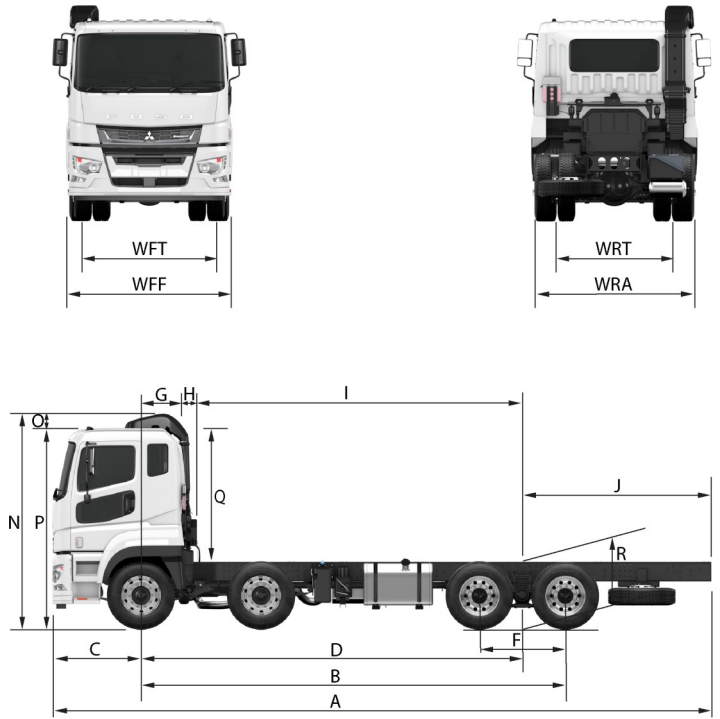
- 53,000kg
- 53,000kg
- 53,000kg

Dimensions mm

WFF (Width Front Fender) (mm)	2490		
WRA (Width Rear Axle) (mm)	2475		
WFT (Width Front Track) (mm)	2075		
WRT (Width Rear Track) (mm)	1865		
Width Frame (mm)	840		
A - Length Overall (mm)	10140		
B - Extreme Axle Spacing (mm)	6530		
C - Front Overhang (mm)	1370		
D - Wheelbase (mm)	5870		
F - Rear Axle Spacing (mm)	1320		
G - Front Axle to Rear of Cab (mm)	700		
H - Rear of Cab to Rearmost Item Behind Cab (mm)	145		
I - Rearmost Item Behind Cab to Rear Axle (mm)	5024		
J - Frame, Rear Axle to End (mm)	2900		
N - Height Overall (mm)	A	B	C
	3240	3355	3710
O - Air Intake to Cab Roof (mm)	A B	C	
	205	225	
P - Height Cab to Ground (mm)	A	B	C
	3035	3150	3485
Q - Height Cab to Frame (mm)	A	B	C
	1970	2090	2420
R - Height Rear Frame to Ground (mm)	1058		

Body Builder's Notes

Notes	<p>Chassis reinforcement must be utilised for Tipper/Demountable type body configurations. To conform with ADR 13/00 (lighting requirements) the following must be adhered to at body installation.</p> <ul style="list-style-type: none"> - If other than a flat type or tipper body is fitted, rear end out-line marker lamps must be installed. - If overall length exceeds 6.0 metres, side reflectors must be installed. - If overall length exceeds 7.5 metres, side marker lamps must be installed. <p>To conform with ADR 42/04 (General Safety), rear wheel guards must be fitted to the vehicle.</p>
-------	---



Call 1800 033 557

or visit fuso.com.au

Unless specified in writing herein the accessories, applications, bodies or equipment depicted in this are for illustration purposes only and may not be available from Daimler Truck Australia Pacific Pty Ltd. ABN 86 618 413 282 DTAuP. No representation or warranty whatsoever is given in relation to any accessories, applications, bodies or equipment or suitability of same that are shown herein that may be manufactured, supplied or fitted by a party other than DTAuP. DTAuP reserves the right without notice or obligation to discontinue or make changes to the colour, designs, materials and specifications of the products and options referred to herein at any time. For the most current information and in order to ascertain which accessories, applications, bodies and equipment are available from DTAuP please contact your authorised FUSO dealer. Fuso is a registered trademark of Daimler Truck Australia Pacific Pty Ltd. Copyright DTAuP. Reproduction in whole or part prohibited without written approval. Valid from 12-Aug-21.